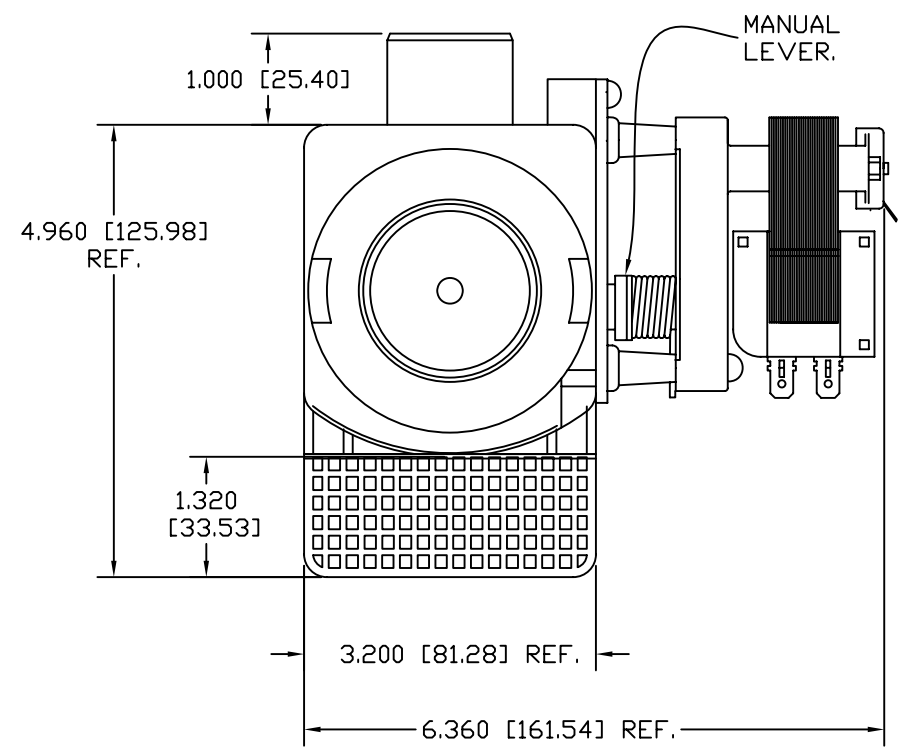
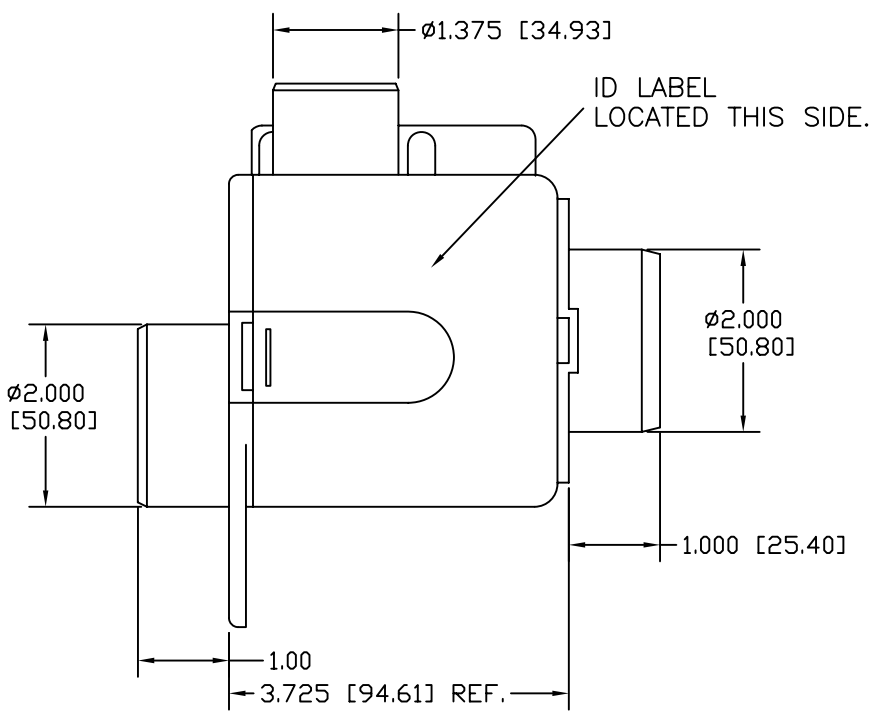


REVISIONS				
REV	DESCRIPTION	DATE	CHKD BY	DATE

NOTES:

- 1) MATERIAL = 40% TALC FILLED POLYPROPYLENE
- 2) COLOR = YELLOW
- 3) MANUAL LEVER REQUIRED
- 2) INLET SEAL = "J" STYLE.



D-O-D P/N	MOTOR RATING	N.O./N.C.
20380520	115 V, 50/60 HZ, .31 AMP, 3 TERMINAL	N.C.
20381420	220-240 V, 50/60 HZ, .24 AMP, 3 TERMINAL	N.C.
20382220	230V, 50/60 HZ, 0.18 AMP, 3 TERMINAL	N.C.

**DEPEND-O-DRAIN, INC.**  
**Bradenton, Fl., USA**

TEL: (841) 758-1710 FAX: (841) 758-9178 E-MAIL: INFO@DEPENDODRAIN.COM

PART NUMBER/DESCRIPTION  
 MDB-C-2  
 NORMALLY CLOSED BALL VALVE

SIZE C	DRAWN BY MF	CHKD BY	DWG NO. 203820	REV NEW
SCALE 1:1	DATE 10/30/08	SHEET 1 OF 1		