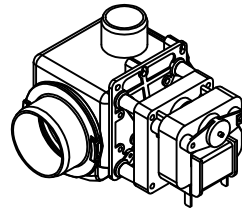


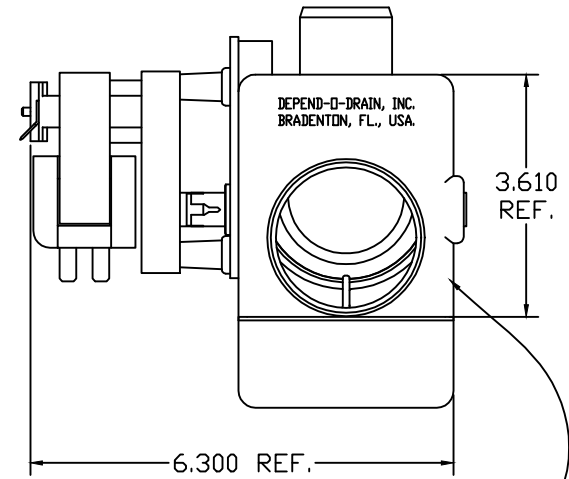
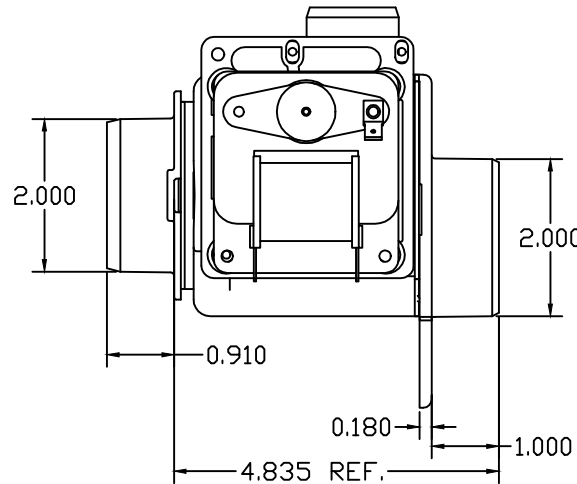
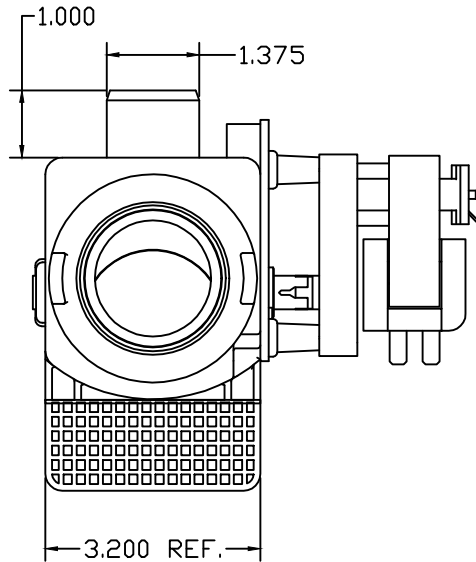
NOTES:

- 1) MATERIAL = 40% TALC FILLED POLYPROPYLENE.
- 2) (REMOVED)
- 3) VALVES ARE A UL RECOGNIZED COMPONENT, FOR BOTH U.S. AND CANADA.



ISO VIEW

REVISIONS					
REV	ECH NO	DESCRIPTION	DATE	BY	CHK BY / DATE
A		ADD P/N 20360020. ADD 24V DESCRIPTION.	7/28/08		MF 7/28/08
B		ADD DOD LOGO TO OUTLET.	7/30/09		MF 7/30/09
C	D1014	CHANGED DESCRIPTION OF 20361520	12/15/14	DT	DZ 12/18/14
D	D1015	CHANGED 20360120 TO 1.7/1.7AMP	2/04/15	DT	DZ 2/19/15
E	D1014	CHANGED DESCRIPTION OF 20363120	3/09/15	DT	DZ 3/23/15
F	D1041/ D1045	CHG SLASHES TO DASHES & .17/.14 TO .20-.17 (CHG MOTOR FROM 127PR TO 125PR) FOR 20361520 & 20363120.	10/5/15	DT	DZ 10/22/15
G	D1060	NOTE 3, REMOVED "CSA", ADDED "UL RECOGNIZED..."	1/25/16	DT	WH 1/25/16
H	2083	CHANGED MOTOR P/N & SCREWS	6/25/20	PG	6/25/20
J	2309	REMOVED COLOR, NOTE #2	4/22/21	PG	4/22/21



ID LABEL  
LOCATED THIS SIDE

D-O-D P/N	MOTOR RATING	N.O./N.C.
20360020	VALVE HOUSING ONLY W/D.P.	
20360029	VALVE HOUSING ONLY	
20360120	24V, 50/60HZ, 1.7/1.7AMP 3 TERM. USE WITH NEC CLASS 2 CIRCUITS ONLY	N.O.
20361520	230V, 50-60HZ, .20-.17AMP, 2 TERM.	N.O.
20363120	230V, 50-60HZ, .20-.17AMP, 2 TERM.	N.O.

**DEPEND-O-DRAIN, INC.**  
**Bradenton, Fl., USA**

PART NUMBER		MDB-O-2	
NORMALLY OPEN BALL VALVE			
SIZE	DRAWN BY	CHK BY	DWG NO.
D	DJZ	BJO	203620
SCALE 1:1	DATE	SHEET 1 OF 1	
	8/04/08		