
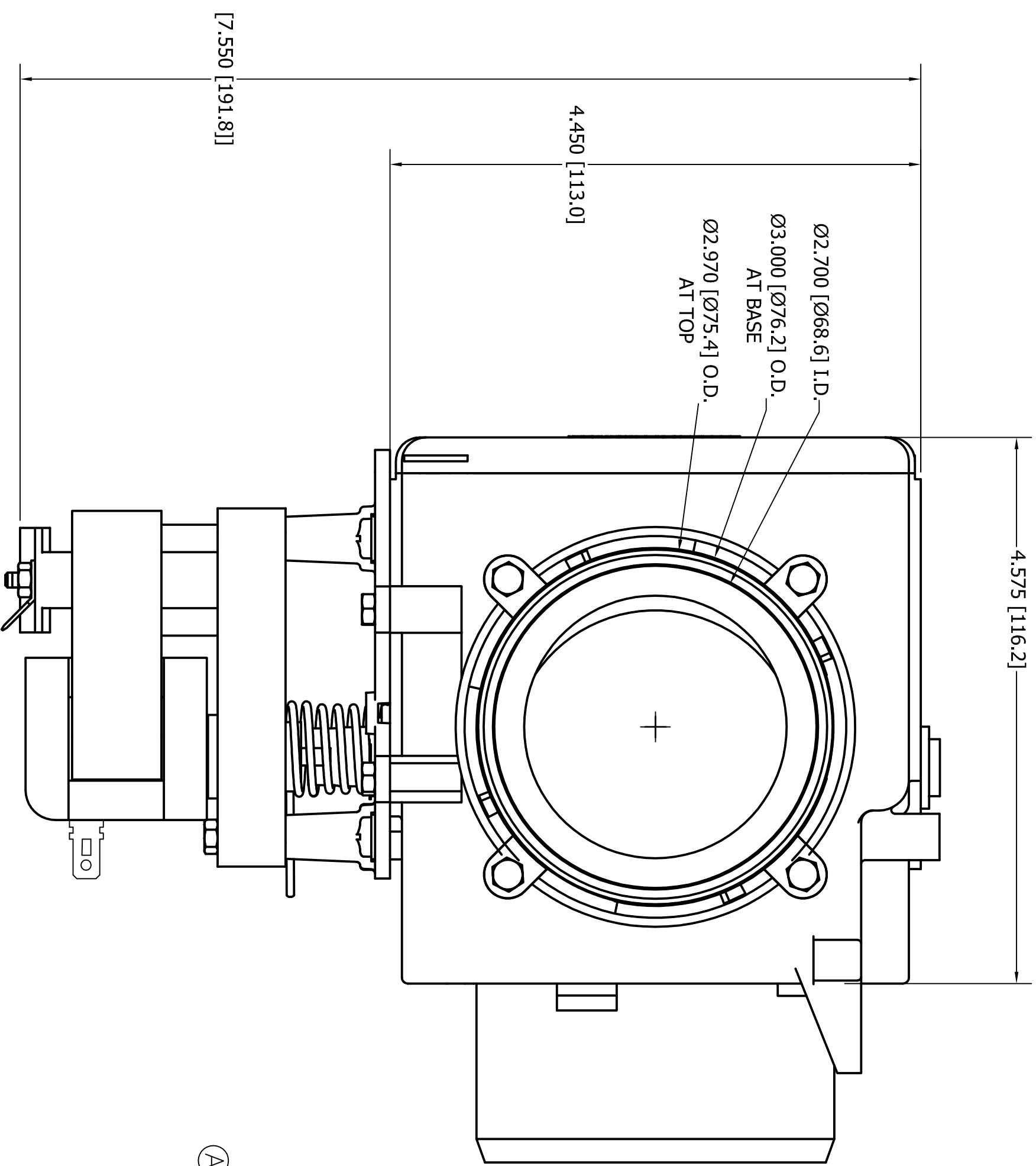


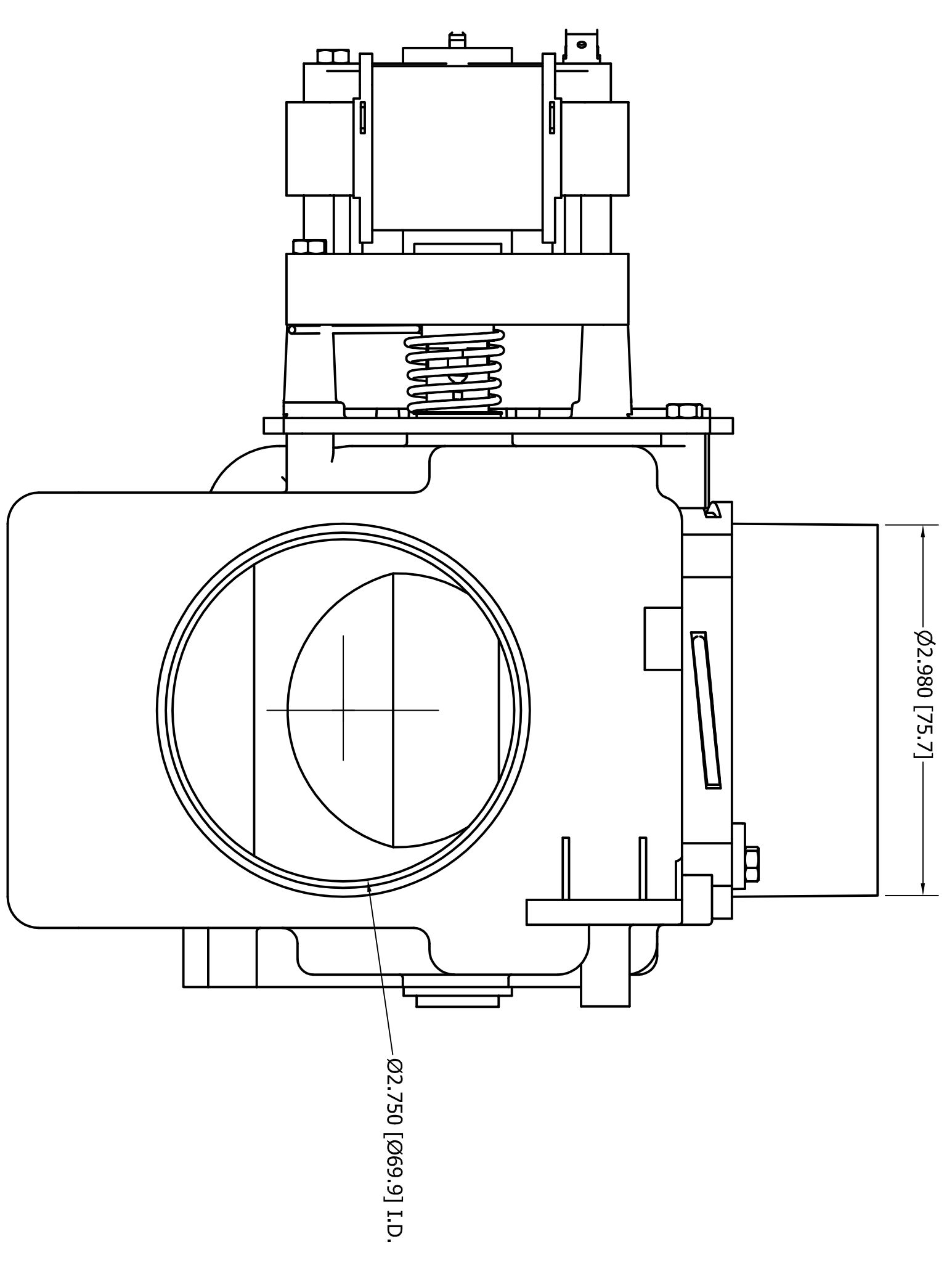
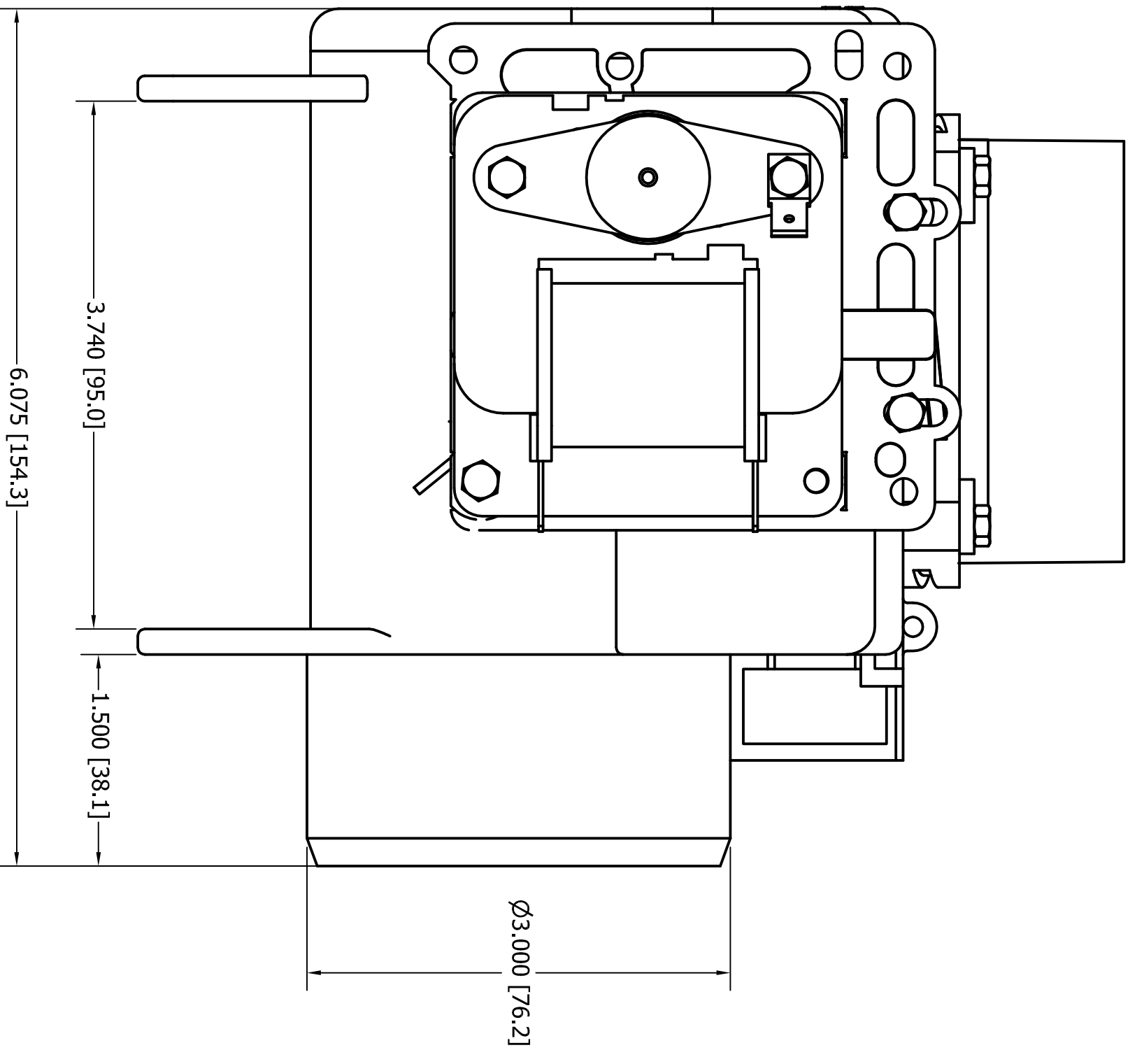
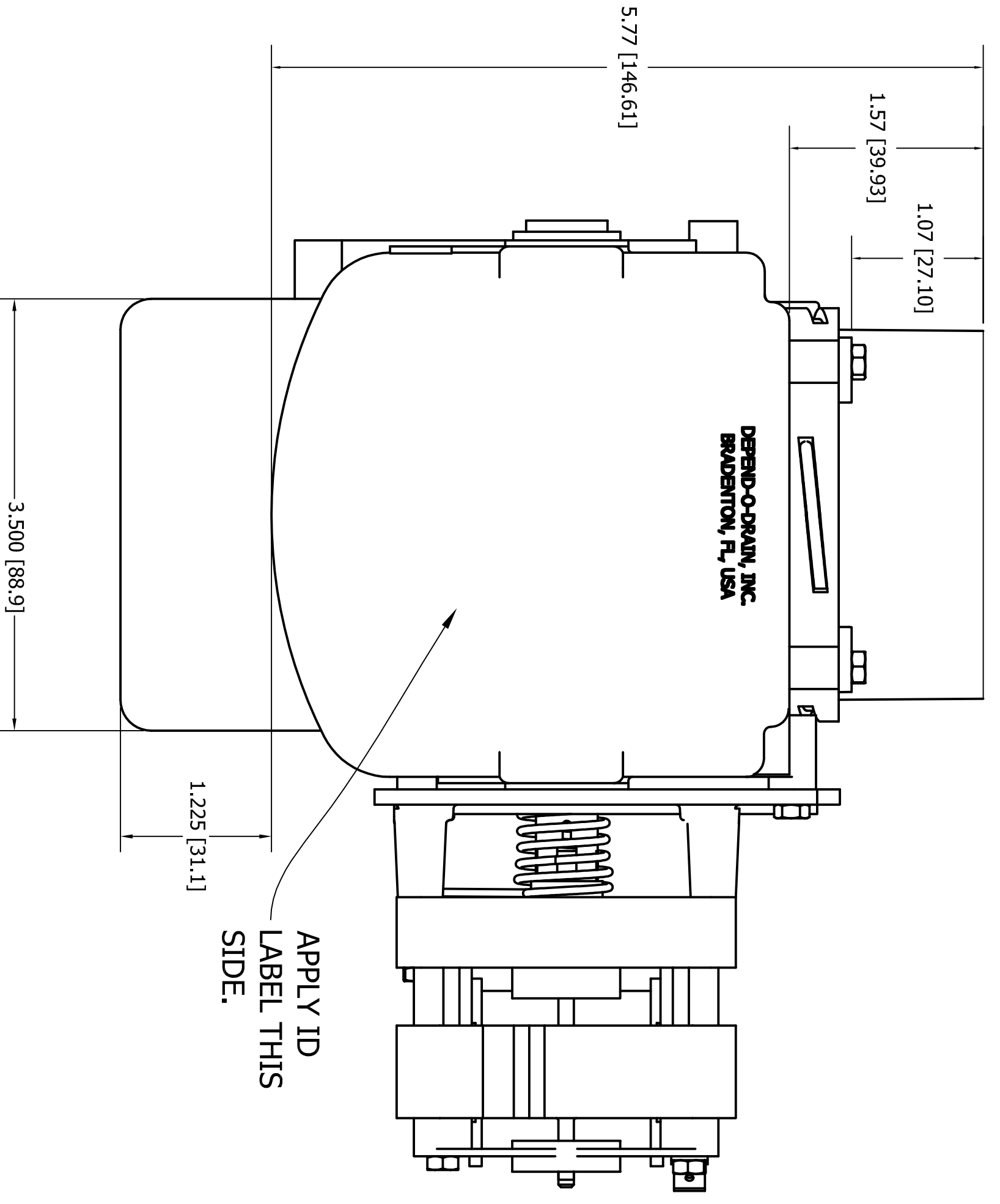
DRAWN	DZ	3/17/14	 Depend-O-Drain, Inc. Bradenton, FL 34210 Tel: (941) 756-1710 Fax: (941) 758-9178 Email: info@dependdrain.com	
CHECKED			TITLE MDB-O-3RA NORMALLY OPEN BALL VALVE	
QA			SIZE D	
MFG			DWG NO 331520	
APPROVED			REV C	
			SCALE 1:1 SHEET 1 OF 1	

DOD P/N	MOTOR RATING	N.O./N.C.
33150020	VALVE HOUSING ONLY W/DP	N.O.
33151620	230 V, 50/60 HZ, 0.24 Amp, 3 TERM	N.O.
33157920	115 V, 50/60 HZ, 0.35 Amp, 2 TERM	N.O.
33158220	24 V, 50/60 HZ, 1.7/1.7 Amp, 3TERM	N.O.

REVISIONS					
REV	EON NO	DESCRIPTION	DATE	BY	CHK BY / DATE
		RELEASED	3/18/14	DT	CD 3/18/14
A	D1060	ADDED NOTE #3	3/23/16	KH	PG 3/23/16
B	D1040	ADD P/N 33150020	3/24/16	KH	MF 3/28/16
C	D1040	ADD P/N 33158220	3/29/16	KH	



NOTES:
 1) HOUSING MAT'L = 40% TALC FILLED POLYPROPYLENE.
 2) COLOR = BLACK.
 3) VALVES ARE A UL RECOGNIZED COMPONENT, FOR BOTH U.S. AND CANADA.



8 7 6 5 4 3 2 1

A B C D