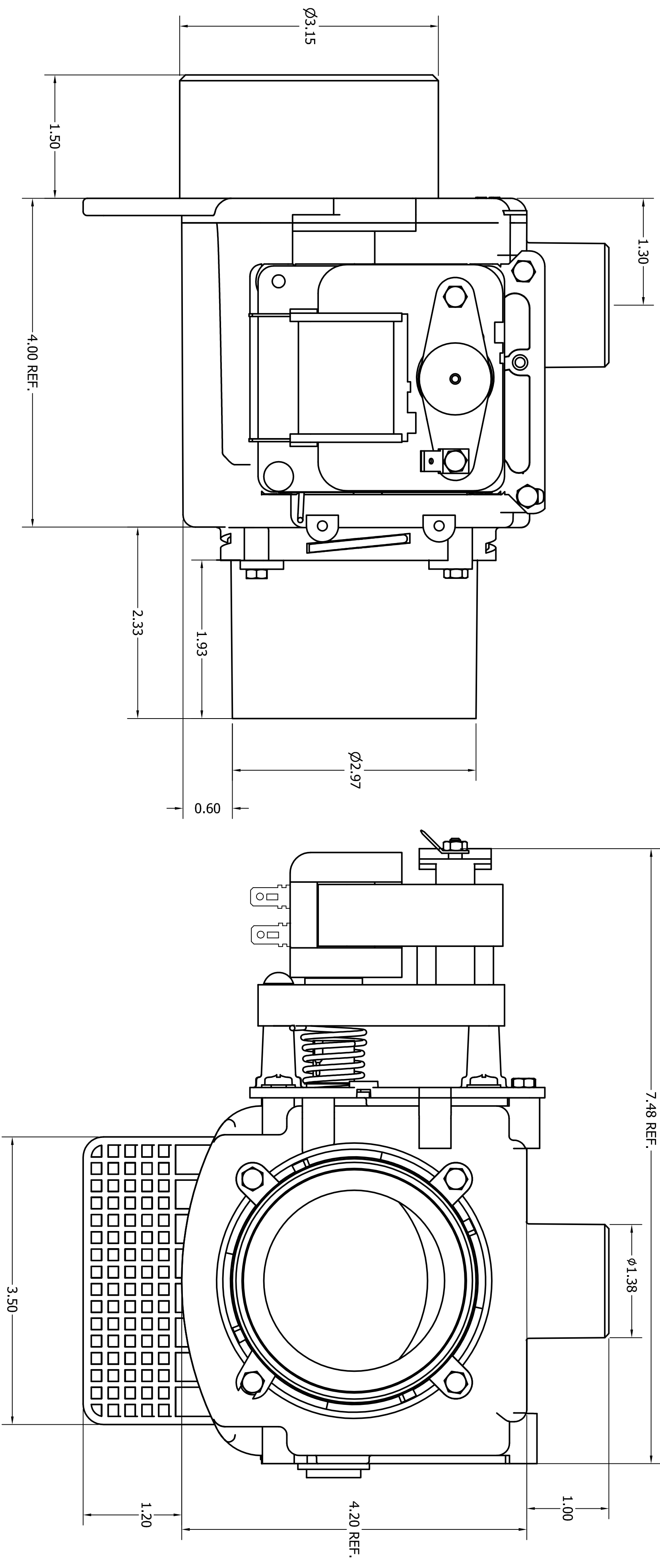



- NOTES:
 1) HOUSING MATERIAL = POLYPROPYLENE
 2) VALVES ARE A UL RECOGNIZED COMPONENT, FOR BOTH U.S. AND CANADA.

REVISION HISTORY					
REV	ECN	DESCRIPTION	BY	DATE	APPROVED BY/DATE
		RELEASED		3/18/14	CD
A	D1041	CHG 33021420 & 33022320 MOTOR DESCRIPTION FROM SLASHES TO DASHES	DT	11/2/15	WH 11/23/15
B	D1060	REMOVED CSA FROM NOTE #2.	DT	2/22/16	PG 3/21/16



DOD PART NUMBER	MOTOR RATING
33020020	VALVE HOUSING ONLY
33020022	VALVE HOUSING ONLY W/DP
33020220	24 V, 50/60 HZ, 1.7/1.7 AMP
33020920	USE WITH NEC CLASS 2 CIRCUITS ONLY
33021420	115 V, 50/60 HZ, 0.35 AMP
33022320	230 V, 50-60 HZ, 0.2-0.17 AMP
	230 V, 50-60 HZ, 0.2-0.17 AMP

DRAWN	DZ	3/10/14	 Depend-O-Drain, Inc. Bradenton, FL 34202 Tel.: (941) 756-1710 Fax: (941) 758-9178 E-mail: info@dependodrain.com	
CHECKED			MDB-O-3 NORMALLY OPEN BALL VALVE	
QA			SIZE	DWG NO
MFG			C	330220
APPROVED			SCALE	1:1
				SHEET 1 OF 1